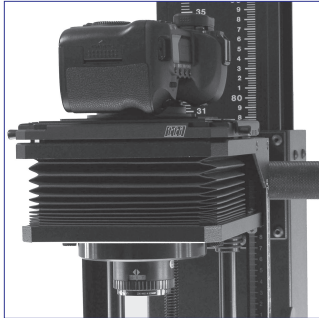




TABLE-TOP REPRO-GRAPHIC WORKSTATION 2430TT

A compact, economical media copy system designed for ease-of-use in production facilities, where high quality image capture, versatility and speed are essential.



Live Video/Focus
Shown here with Canon 5D Mark II

Shown with TTI Digiflex 67ei

- ARCHIVING PHOTOS & ART
- DEFENSE & INTELLIGENCE
- DESKTOP PUBLISHING
- GENERAL IMAGING
- FORENSICS
- INDUSTRIAL
- MILITARY CATALOGING
- PRE-PRESS
- SCIENTIFIC RECORDING

The Table-Top Repro-Graphic Workstation 2430TT, designed for the commercial workplace, is the perfect solution to quality reproduction of flat art. Its solid construction insures unrivalled stability, yet it is small enough to conveniently place anywhere. No effort has been spared to make this copy system an exceedingly sturdy, perpendicular and parallel camera/scanner platform.

High quality components enhance accuracy and performance. It is a precision instrument which can maximize the capabilities of your imaging needs. It lets you capture clear, sharp images with minimum effort and maximum speed.

With state-of-the-art daylight reflective illumination and precise repeatability, it is an integrated image capture system far exceeding the capabilities of others.

PRECISE, ECONOMICAL IMAGE CAPTURE

The versatile table-top repro-graphic workstation 2430TT from TTI lets you capture clear, sharp images at a very affordable price.

Work Table

The worktable surface is covered with a heavy duty laminate for years of carefree use. Leveling features allow for parallel adjustments to the image plane. A modest 30" x 32" footprint is required.

Column

A single piece heavy-duty extrusion provides an extremely rigid upright column which cannot twist or sag. A unique leveling system for parallel adjustments to the baseboard is provided.

Elevation Carriage

The moving carriage is driven by a heavy-duty Motor and lead screw, the preferred method for precision travel. This provides smooth camera movement and automatic lock in any position.

Elevation Reference Scale

A calibrated elevation scale is printed on the upright column in crisp, easy to read numbers in both inches and centimeters for precise repeatability.

Camera Mount

TTI's exclusive mounting system is designed to provide exceptional support for any camera or scanner, maintaining optical

center throughout the elevation range. A vital detail so often overlooked by others. TTI also provides camera mounts for most digital cameras, scanning backs, film cameras, medium and large formats.

Reflective Light Source

With most of the heat exiting from the rear reflector of the lamps, the TTI daylight reflective lighting system provides brightness, evenness of illumination and a cool work surface. Reflective lighting available as an integrated part of the workstation as well as stand alone can be oriented in portrait or landscape mode.



TTI Daylight Reflective Lighting, 5500°K (8) Lamp System.



Extremely sturdy base shown with the variable speed remote control and mounted lighting.



Proprietary design is engineered for extraordinarily glare-free and even illumination. Shown here: 3200° K (4) lamp system.

SPECIFICATIONS

Table-Top Repro-Graphic Workstation 2430TT

Column:	Motorized, height: 48".
Lighting System:	Reflective, Daylight 400 watts, Quartz Halogen; 5500K (8) Lamp system or 600/1000W Quartz Halogen 3200K.
Elevation indicator:	Reference scales on column
Camera mount:	Positive click-stop center; +/-90° rotation
Overall dimensions:	Width: 81"; Depth: 32"; Height: 57";
Work surface dimensions:	24" x 30"
Power requirements:	115V AC, 50/60Hz, 6-10A (max.)
Shipping weight:	103 lbs.

OPTIONAL ACCESSORIES

Camera mount:	35mm, Medium or Large format.
Strobe lighting:	
Reflective Lighting:	TTI-LED System 2100-48
Polarize filter holders:	
Wall mount:	
Floor stand:	
Vacuum easels:	



TARSIA TECHNICAL INDUSTRIES, INC. | 93 Marcus Boulevard, Hauppauge, NY 11788 Ph: 631-231-8322
web: www.TTInd.com | e-mail: info@TTInd.com

THE REPRO-GRAPHIC COPY SYSTEM IS SHOWN COMPLETE. SOME ITEMS ARE OPTIONAL. ADDITIONAL ACCESSORIES ARE NOT SHOWN. CALL FOR PRICES AND AVAILABILITY.
ALL TRADEMARKS ARE THE PROPERTY OF THEIR RESPECTIVE OWNERS. SPECIFICATIONS, DESIGN AND FEATURES ARE SUBJECT TO CHANGE WITHOUT NOTICE.
© 2010 TARSIA TECHNICAL INDUSTRIES. PRINTED IN THE U.S.A.